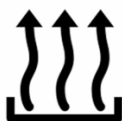




STROM



WÄRME



KÄLTE



LICHT



USV



**P.T.O.**

3000 r.p.m. - IP 23 2 poles Compound

# GA AGRIPLUS 3-31

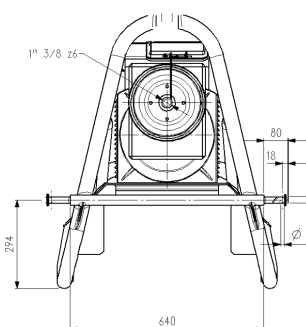
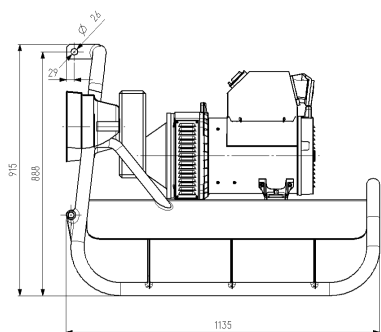
## Technical data

		Three-phase 400V - 50Hz	Mono-phase 230V - 50Hz
Power	kVA	31.5	12.4
Active power	kW	25.2	9.92
Current	%		86
Gear box	Ratio		1:6.9
Driving power	kW		30.2
Tractor power	HP		95
P.T.O. speed	r.p.m.		430
P.T.O. sizing Cardan	Nm		995
	kW		56
Dimensions (LxWxH)	Mm	1135 x 640 x 915	
Weight	Kg	190	



## Environmental conditions

Temperature	°C	25
Relative humidity	%	30
Maximum altitude	Mt	1000



## EQUIPMENT

- Alternator stabilized, high performance
- Gear box
- Raised chassis
- 3-point-connection frame
- Control panel
- EC Protections

## CONTROL PANEL ON BOARD

### Digital instrument:

- Voltmeter
- Frequencymeter
- Ammeter
- Hour counter

### Protections

- 2-pole magnetothermic switch
- 4-pole magnetothermic switch
- Differential protection (Id=0,03A)
- IP65 cover

### Outputs

- 1 CEE 400V (3P+N+E) 63A
- 1 CEE 230V (2P+E) 16A

## DOCUMENTATION

- User and maintenance manual
- EC Declaration of Conformity

## APPLICATIONS



AGRICULTURAL