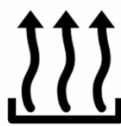




STROM



WÄRME



KÄLTE



LICHT



USV



AVR



automatic voltage regulator

P.T.O.

1500 r.p.m. - IP 23 4 poles Brushless - AVR

GA AGRIPLUS 1-93

Technical data

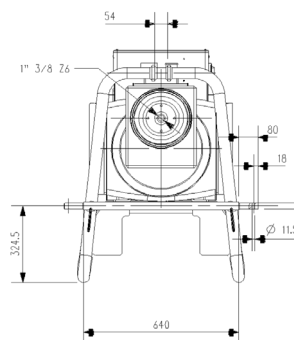
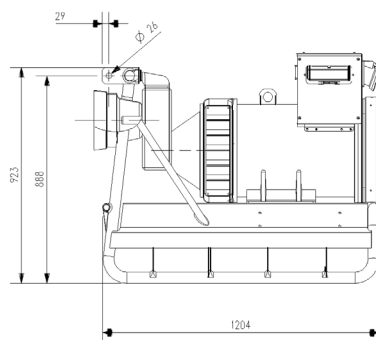
Three-phase 400V - 50Hz Mono-phase 230V - 50Hz

| | | | |
|----------------------|--------|-------------------------|-------------|
| Power | kVA | 93 | 37 |
| Active power | kW | 74.4 | 29.6 |
| Current | % | 90.9 | |
| Gear box | Ratio | 1:3.8 | |
| Driving power | kW | 83.8 | |
| Tractor power | HP | 285 | |
| P.T.O. speed | r.p.m. | 400 | |
| P.T.O. sizing Cardan | Nm | 3000 | |
| | kW | 169 | |
| Dimensions (LxWxH) | Mm | 1204 x 640 x 923 | |
| Weight | Kg | 382 | |



Environmental conditions

| | | |
|-------------------|----|-------------|
| Temperature | °C | 25 |
| Relative humidity | % | 30 |
| Maximum altitude | Mt | 1000 |



EQUIPMENT

Alternator stabilized, high performance
Gear box
Raised chassis
3-point-connection frame
Control panel
EC Protections

CONTROL PANEL ON BOARD

Digital instrument:

- Voltmeter
- Frequencymeter
- Ammeter
- Hour counter

Protections

Single phase thermal protection
4-pole magnetothermic switch
Differential protection (Id=0,03A)
2 pole magnetothermic switch
IP65 cover

Outputs

1 CEE 400V (3P+N+E) 125A
1 CEE 230V (2P+E) 32A
1 Schuko

DOCUMENTATION

User and maintenance manual
EC Declaration of Conformity

APPLICATIONS



AGRICULTURAL