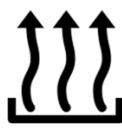




STROM



WÄRME



KÄLTE



LICHT



USV



P.T.O.

1500 r.p.m. - IP 23 4 poles Brushless

GA AGRIPLUS 1-80

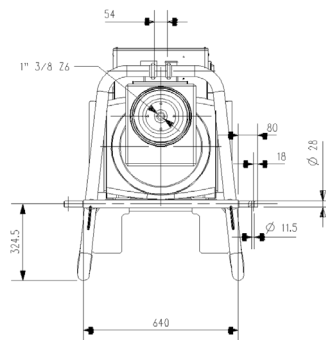
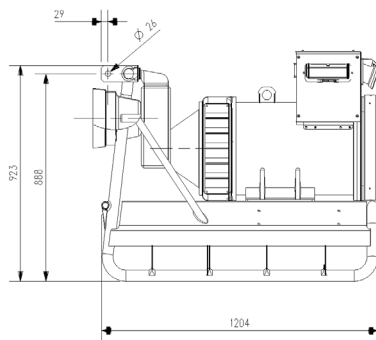
Technical data

		Three-phase 400V - 50Hz	Mono-phase 230V - 50Hz
Power	kVA	80	32
Active power	kW	64	25.6
Current	%	90.1	
Gear box	Ratio	1:3.8	
Driving power	kW	72.7	
Tractor power	HP	247	
P.T.O. speed	r.p.m.	400	
P.T.O. sizing Cardan	Nm	2603	
	kW	147	
Dimensions (LxWxH)	Mm	1204 x 640 x 923	
Weight	Kg	362	



Environmental conditions

Temperature	°C	25
Relative humidity	%	30
Maximum altitude	Mt	1000



EQUIPMENT

- Alternator stabilized, high performance
- Gear box
- Raised chassis
- 3-point-connection frame
- Control panel
- EC Protections

CONTROL PANEL ON BOARD

Digital instrument:

- Voltmeter
- Frequncymeter
- Ammeter
- Hour counter

Protections

- Single phase thermal protection
- 4-pole magnetothermic switch
- Differential protection (Id=0,03A)
- 2 pole magnetothermic switch
- IP65 cover

Outputs

- 1 CEE 400V (3P+N+E) 125A
- 1 CEE 230V (2P+E) 32A
- 1 Schuko



DOCUMENTATION

- User and maintenance manual
- EC Declaration of Conformity

APPLICATIONS



AGRICULTURAL