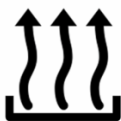




STROM



WÄRME



KÄLTE



LICHT



USV



**P.T.O.**

1500 r.p.m. - IP 23 4 poles Brushless

# GA AGRIPLUS 1-45

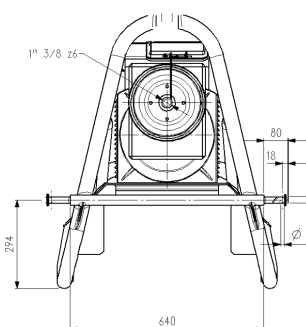
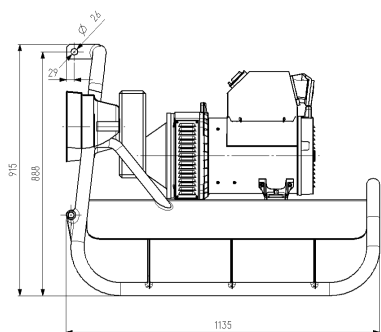
## Technical data

		Three-phase 400V - 50Hz	Mono-phase 230V - 50Hz
Power	kVA	45	18
Active power	kW	36	14.4
Current	%	87.5	
Gear box	Ratio	1:3.5	
Driving power	kW	39.4	
Tractor power	HP	124	
P.T.O. speed	r.p.m.	430	
P.T.O. sizing Cardan	Nm	1298	
	kW	73	
Dimensions (LxWxH)	Mm	1135 x 640 x 915	
Weight	Kg	258	



## Environmental conditions

Temperature	°C	25
Relative humidity	%	30
Maximum altitude	Mt	1000



## EQUIPMENT

- Alternator stabilized, high performance
- Gear box
- Raised chassis
- 3-point-connection frame
- Control panel
- EC Protections

## CONTROL PANEL ON BOARD

### Digital instrument:

- Voltmeter
- Frequencymeter
- Ammeter
- Hour counter

### Protections

- 4-pole magnetothermic switch
- Differential protection (Id=0,03A)
- 2 pole magnetothermic switch
- IP65 cover

### Outputs

- 1 CEE 400V (3P+N+E) 63A
- 1 CEE 230V (2P+E) 32A
- 1 Schuko



## DOCUMENTATION

- User and maintenance manual
- EC Declaration of Conformity

## APPLICATIONS



AGRICULTURAL