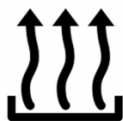




STROM



WÄRME



KÄLTE



LICHT



USV



Image for demonstration purposes



Generating Set
RENTAL BUILDING - Diesel

GE.AIS5.061/060.RB+011

1500 rpm - Threephase - 50Hz - 400V
Control panel



Standard equipment

⚙️ Canopy Soundproofing

Removable soundproof canopy
Painting canopy (RAL) in galvanized sheet steel
Soundproofing with class 1 polyester material
Handles with key lock and automatic closing
Special baffles for air intake and air expulsion
Inspection doors with hermetic gasket
Automatic doorstop
Externally and internally washable with sprayer

⚙️ Exhaust

Residential exhaust system -35dB(A)
Exhaust rain cap

⚙️ Fuel Supply

Single wall daily tank with 110% bunded base
Plug & Play fuel connections
Bulk tank connections with 3 way valve
Automatic shutdown system for low fuel level
Fuel gauge
Mechanical fuel gauge
Increased fuel hatch for washing

⚙️ Handling

Oversized lifting hook
Base frame with anti-overturning forklift pockets
Loadable side by side for truck transportation
Rubber Bumpers

⚙️ Base Frame

Bunded base at 110% of fuel tank capacity
Anti-vibrating mounting pads
Battery compartment externally accessible for easy service

⚙️ Engine

High coolant temperature and low oil pressure shutdown system
Oil change pump
Engine liquids (oil and antifreeze)
Tropicalized radiator
Rotating parts protection
Battery disconnecter lockable

⚙️ Alternator

AVR Automatic Voltage Regulator
Impregnation for marine environment
IP23

⚙️ Panel & connection

Emergency Stop button
Non-Automatic circuit breaker on panel board
RCD with adjustable current and excludible
Circuit breaker inspectable from the outside c/w cable slide and cable clamps
Tamperproof panel IP55
Male socket for battery charger and engine pre-heater (if provided) power supply
Cable output from rear
IP44 wiring
Start-up battery (pre-charged)
Plug & Play connector for Bus communication between controller (Only variant +14)
Sockets module with magnetothermal circuit breaker and Differential
Grounding point
Total power terminal box (excluded variant +12)

⚙️ Documentation

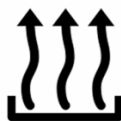
CE conformity declaration
User and Maintenance manual
Test report
Wirings diagrams
IP 55 Document pocket
Exploded drawing with spare parts codes

⚙️ Normatives

All Generating sets are compliant to CE Marking
2014/30/UE Electromagnetic compatibility
2000/14/CE Noise Emission for outdoor use
Factory-designed systems built according to ISO 9001:2015
CEI EN 60204-1:2018 - Electrical equipment of machines



STROM



WÄRME



KÄLTE



LICHT



USV

Primary data

General Information

Speed	RPM	1500
Frequency	Hz	50
PRP	KVA	60
PRP - Prime power	KW	48
LTP - Standby power	KVA	60
LTP - Standby power	KW	48
Standard Voltage	V	400/230
Current	A	86.71
Voltage for current calculation	V	400
COSFI	0,8	0,8

General electrical protection

Rated current	A	160
Type	Non-Automatic circuit breaker on panel board	
Poles	N	4P
Optional/notes	Opening coil	
Additional protection	Adjustable and excludable Differential protection	
Protection device	Control module	
Adjustments tripping set-point (I _d)	mA	30 - 5000
Adjustments tripping time (t)	sec.	0 - 30

Noise level +/- 3dB(A)

LWA	dB(A)	88
Sound pressure level @ 7 mt	dB(A)	63
Sound pressure level @ 1 mt	dB(A)	72

Fuel Consumption

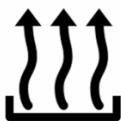
TYPE	Diesel	
Standard Fuel Tank capacity	lt	250
Autonomy @ 75% load	h	23
Fuel consumption at 100% load	lt/h	14
Fuel consumption at 75% load	lt/h	10,9
Fuel consumption at 50% load	lt/h	7,9

General data

Rated capacity	Ah	1x120
Auxiliary Voltage	V	12
Exhaust gas temperature	°C	740
Exhaust gas flow	l/s	188,4
Combustion air flow	l/s	55,1
Cooling fan airflow	mc/s	1
Exhaust diameter	mm	80



STROM



WÄRME



KÄLTE



LICHT



USV

Weight and Dimensions

Dimensions (L x W x H)	cm	265x115x168
Weight with liquids (excluding optionals and fuel)	Kg (+/-3%)	1348

Engine

Factory		FPT
Model		F34TEVP01.00
Emissions stage		Stage 5
Speed governor		Electronic
Radiator	°C	50
Cooling	Tipo	liquid (water + 50% Paraflu11)
Active net power	Kwm	54
Nominal net power	CV	73,3
Cycle	Tipo	4 strokes
Injection	Tipo	Direct
Aspiration	Tipo	Turbo
Numbers of cylinders	N	4
Cylinders arrangement		L
Bore	mm	99
Stroke	mm	110
Total displacement	lt	3,4
Engine oil features		15W40-API CI-4/CH-4 ACEA E5-E7
Engine oil consumption	%	<0.25
Total oil capacity	lt	9,5
Total coolant capacity	lt	8
ISO 8528-5 class		G2

Alternator

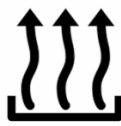
* May vary based on stock availability. However, a primary brand will be used.

Factory		Stamford
Model		S1L2-Y1
PRP continuous power	KVA	62,5
Voltage Regulator (voltage accuracy)	+/- %	1
Poles	N°	4
Phases	N°	3+N
Standard windings connection		Star Series
Stator/rotor impregnation		H (Outdoor Temp 40°C)
Efficiency	%	90,1
Engine coupling		Elastic disk
Short circuit current		>= 300% (3In)
Protection degree	IP	23
Cooling system		Self ventilating
Maxium overspeed	rpm	2250
Waveform distortion	%	<5
Exciter		Diode bridge

Standard operating environmental conditions



STROM



WÄRME




KÄLTE



LICHT



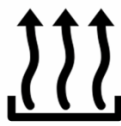
USV

 GE.AIS5.061/060.ST.RB+011

Ambient temperature	°C	25
Relative Humidity	%	30
Max altitude	mt	1000



STROM



WÄRME



KÄLTE

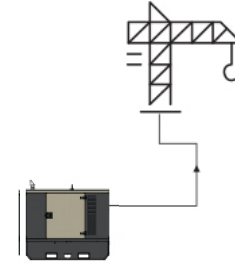


LICHT



USV

Control Systems on board QPE-C-SC-3F-4P-160-O2RB



operating scheme - schema di funzionamento

QPE Control panel

The QPE-C control panel represents the evolution of the panel for the control and management of the gen set. With its microprocessor logic it is able to meet any user requested features. The dual operation mode manual and automatic guarantees to every type of functionality protection, analysis and control of the generating set in order to make the management easy and efficient.

Mechanical features

Protection degree	<i>IP</i>	55
-------------------	-----------	-----------

Battery charger

Model		ELCOS - CB1
Maximum output current	<i>A</i>	2,5
Output DC voltage (selectable)	<i>V_{dc}</i>	12-24
Input AC voltage (selectable)	<i>V_{ac}</i>	220-260
Frequency	<i>Hz</i>	50-60

Sockets module

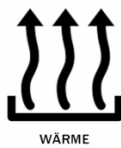
Protection	<i>Type</i>	Differential Magnetothermal breakers
Differential Sensivity	<i>mA</i>	30 (only for 16A and 32A)
Sockets		N. 1 CE Schuko 16A 230V
Sockets		N. 1 CE 2P+T 16A 230V
Sockets		N. 1 CE 3P+N+T 16A 400V
Sockets		N. 1 CE 3P+N+T 32A 400V
Sockets		N. 1 CE 3P+N+T 63A 400V
Male socket		N. 1 CE 2P+T 16A 230V

Data Communication

Data connection port		RS-485
Communication protocol		Mod-bus RTU-8N1

Remotable functions in terminal box

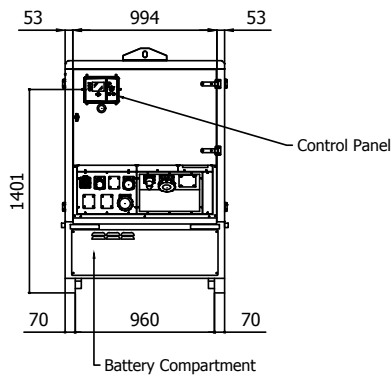
GS start Genset contactor close/open command (1)	GS lock Mains contactor close/open command (2)
---	---



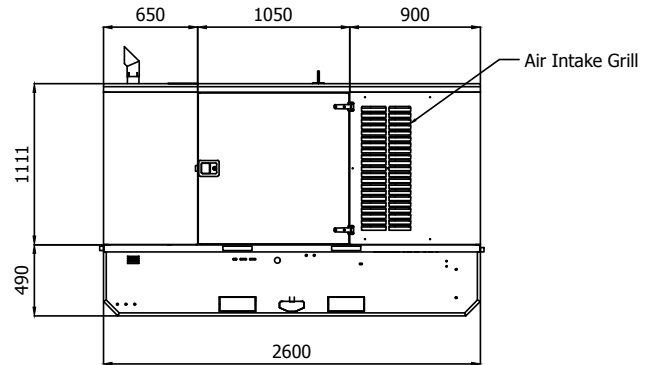
Sheet:	C 2600.RB	RENTAL BUILDING	Exhaust side:	Type:	STANDARD	Rev:	00	Last Update:	Apr 29, 2020	Page 1/2
--------	-----------	-----------------	---------------	-------	----------	------	----	--------------	--------------	----------

OVERALL DIMENSIONS [mm]

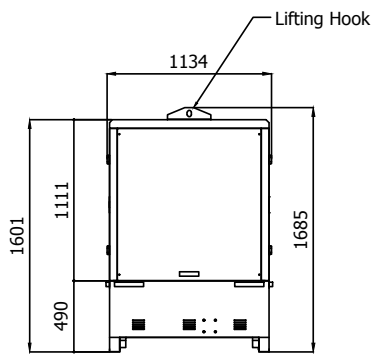
REAR VIEW



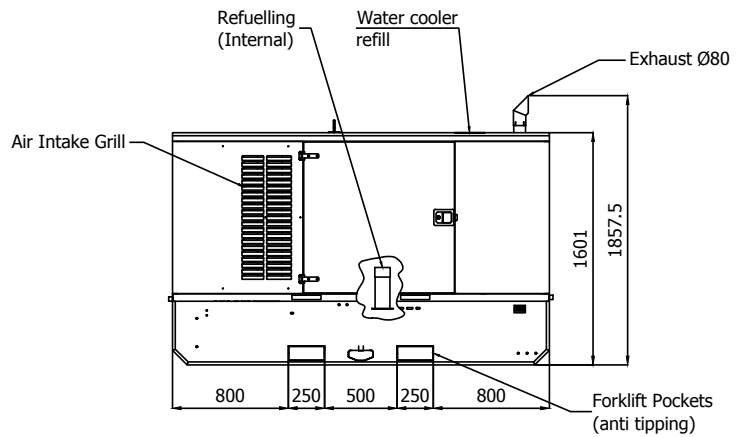
LEFT SIDE VIEW



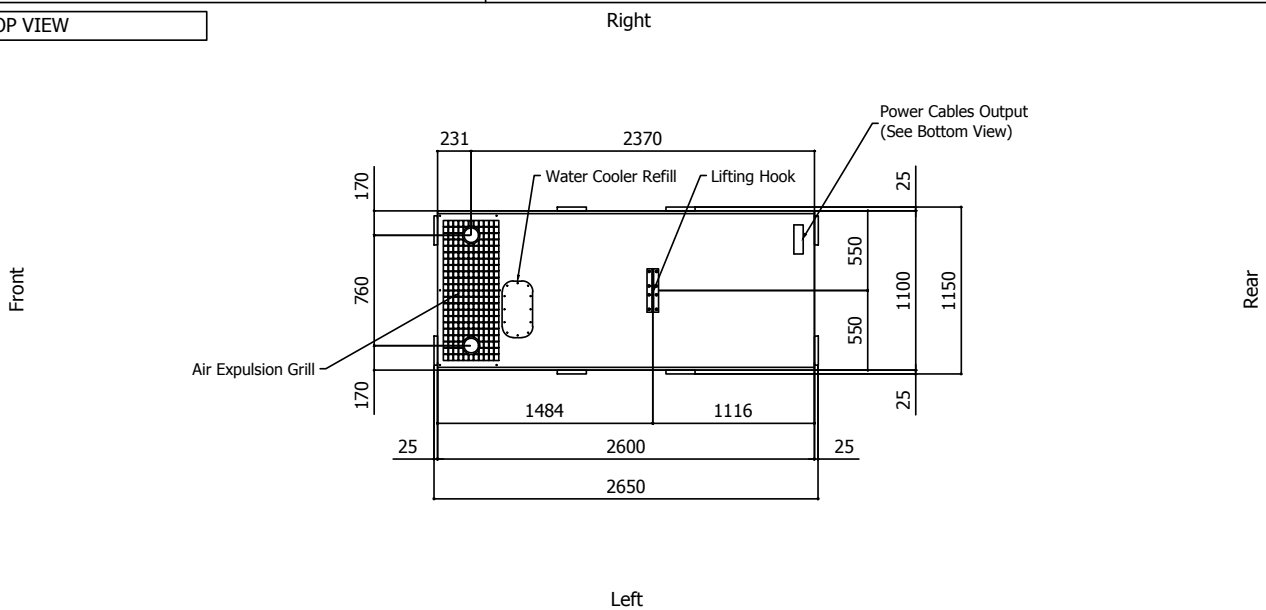
FRONT VIEW



RIGHT SIDE VIEW



TOP VIEW

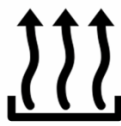


IMPORTANT:

- Form and dimension refer to the generating set on catalogue
- Form and dimension are subject to change in order to update or improve the products



STROM



WÄRME



KÄLTE

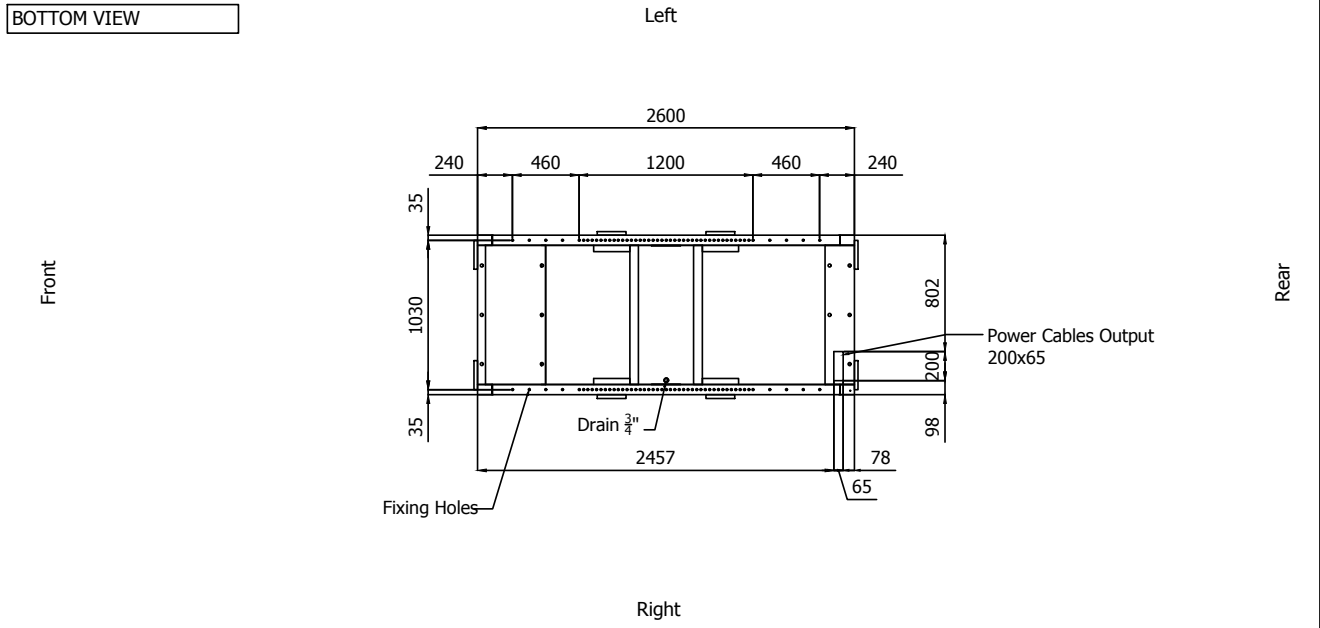


LICHT

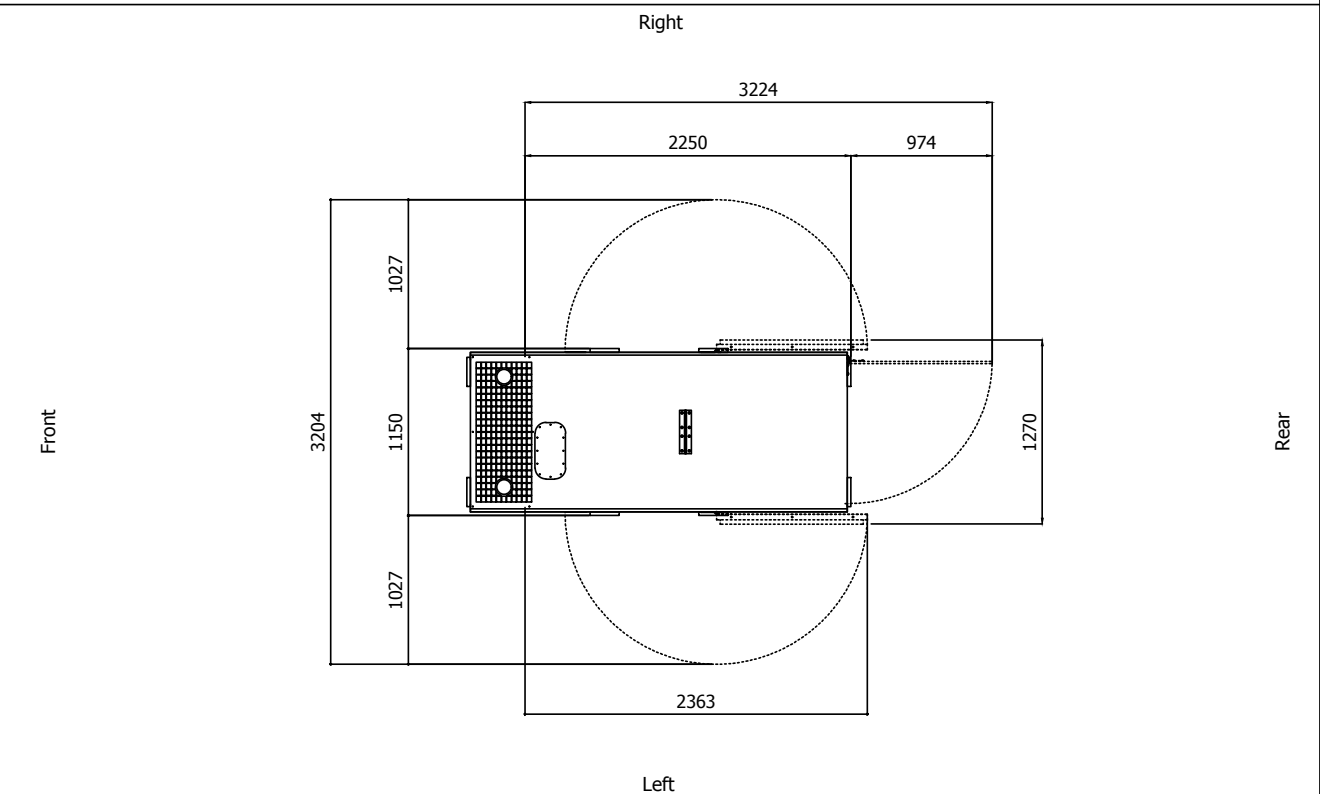


USV

Sheet:	C 2600.RB	RENTAL BUILDING	Exhaust side:	Type:	STANDARD	Rev:	00	Last Update:	Apr 29, 2020	Page 2/2
--------	-----------	-----------------	---------------	-------	----------	------	----	--------------	--------------	----------



DIMENSIONS WITH OPEN DOORS [mm]



Note: With Lifting-Off Door Solution consider only canopy dimensions.
 (Models with "Control Panel" behind rear door will mount a special cover to protect it)

VENTILATION OF THE ROOM

The windows area in the generating set room needs to be (recommended):
 Aspiration: 1.00 m²
 Expulsion: 0.60 m²
 ATTENTION: for a correct ventilation the expulsion air and the exhaust gas needs to be conveyed in the open-air

- IMPORTANT:**
- 1) Form and dimension refer to the generating set on catalogue
 - 2) Form and dimension are subject to change in order to update or improve the products