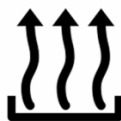




STROM



WÄRME



KÄLTE



LICHT



USV



**Generating Set**  
**RENTAL BUILDING - Diesel**

## GE.AIS5.165/155.RB+011

1500 rpm - Threephase - 50Hz - 400V  
Automatic panel without switching on board



Image for demonstration purposes

## Standard equipment

### ⚙️ Canopy Soundproofing

- Removable soundproof canopy
- Painting canopy (RAL) in galvanized sheet steel
- Soundproofing with class 1 polyester material
- Handles with key lock and automatic closing
- Special baffles for air intake and air expulsion
- Inspection doors with hermetic gasket
- Automatic doorstop
- Externally and internally washable with sprayer

### ⚙️ Exhaust

- Residential exhaust system -35dB(A)
- Exhaust rain cap

### ⚙️ Fuel Supply

- Single wall daily tank with 110% bunded base
- Plug & Play fuel connections
- Bulk tank connections with 3 way valve
- Automatic shutdown system for low fuel level
- Fuel gauge
- Mechanical fuel gauge
- Increased fuel hatch for washing

### ⚙️ Handling

- Oversized lifting hook
- Base frame with anti-overturning forklift pockets
- Loadable side by side for truck transportation
- Rubber Bumpers

### ⚙️ Base Frame

- Bunded base at 110% of fuel tank capacity
- Anti-vibrating mounting pads
- Battery compartment externally accessible for easy service

### ⚙️ Engine

- High coolant temperature and low oil pressure shutdown system
- Oil pressure and coolant temperature gauge (only with QPE or +14 variant)
- Oil change pump
- Engine liquids (oil and antifreeze)
- Tropicalized radiator
- Rotating parts protection
- Electronic speed governor
- Battery disconnecter lockable

### ⚙️ Alternator

- AVR Automatic Voltage Regulator
- Impregnation for marine environment
- IP23

### ⚙️ Panel & connection

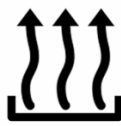
- Emergency Stop button
- Non-Automatic circuit breaker on panel board
- RCD with adjustable current and excludible
- Circuit breaker inspectable from the outside c/w cable slide and cable clamps
- Tamperproof panel IP55
- Male socket for battery charger and engine pre-heater (if provided) power supply
- Cable output from rear
- IP44 wiring
- Start-up battery (pre-charged)
- Plug & Play connector for Bus communication between controller (Only variant +14)
- Sockets module with magnetothermal circuit breaker and Differential
- Grounding point
- Total power terminal box (excluded variant +12)

### ⚙️ Documentation

- CE conformity declaration
- User and Maintenance manual
- Test report
- Wirings diagrams
- IP 55 Document pocket
- Exploded drawing with spare parts codes



STROM



WÄRME



KÄLTE



LICHT



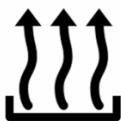
USV

### Normatives

All Generating sets are compliant to CE Marking  
2014/30/UE Electromagnetic compatibility  
2000/14/CE Noise Emission for outdoor use  
Factory-designed systems built according to ISO 9001:2015  
CEI EN 60204-1:2018 - Electrical equipment of machines



STROM



WÄRME



KÄLTE



LICHT



USV

## Primary data

### General Information

Speed	RPM	1500
Frequency	Hz	50
PRP	KVA	155
PRP - Prime power	KW	124
LTP - Standby power	KVA	165
LTP - Standby power	KW	132
Standard Voltage	V	400/230
Current	A	223.99
Voltage for current calculation	V	400
COSFI	0,8	0,8

### General electrical protection

Rated current	A	250
Type	Non-Automatic circuit breaker on panel board	
Poles	N	4P
Optional/notes	Opening coil	
Additional protection	Adjustable and excludable Differential protection	
Protection device	Control module	
Adjustments tripping set-point (I <sub>d</sub> )	mA	30 - 5000
Adjustments tripping time (t)	sec.	0 - 30

### Noise level +/- 3dB(A)

LWA	dB(A)	91
Sound pressure level @ 7 mt	dB(A)	66
Sound pressure level @ 1 mt	dB(A)	75

### Fuel Consumption

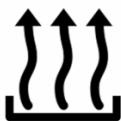
TYPE	Diesel	
Standard Fuel Tank capacity	lt	400
Autonomy @ 75% load	h	17
Fuel consumption at 100% load	lt/h	32,8
Fuel consumption at 75% load	lt/h	24,6
Fuel consumption at 50% load	lt/h	17

### General data

Rated capacity	Ah	2x120
Auxiliary Voltage	V	24
Exhaust gas temperature	°C	550
Exhaust gas flow	l/s	627,5
Combustion air flow	l/s	165,4
Cooling fan airflow	mc/s	3,8
Exhaust diameter	mm	100



STROM



WÄRME



KÄLTE



LICHT



USV

## Weight and Dimensions

Dimensions (L x W x H)	cm	<b>385x125x215</b>
Weight with liquids (excluding optionals and fuel)	Kg (+/-3%)	<b>2356</b>

## Engine

Factory		<b>FPT</b>
Model		<b>N67TEVP06.00</b>
Emissions stage		<b>Stage 5</b>
Speed governor		<b>Electronic</b>
Radiator	°C	<b>50</b>
Cooling	Tipo	<b>liquid (water + 50% Paraflu11)</b>
Active net power	Kwm	<b>136</b>
Nominal net power	CV	<b>184,7</b>
Cycle	Tipo	<b>4 strokes</b>
Injection	Tipo	<b>Direct</b>
Aspiration	Tipo	<b>Turbo</b>
Numbers of cylinders	N	<b>6</b>
Cylinders arrangement		<b>L</b>
Bore	mm	<b>104</b>
Stroke	mm	<b>132</b>
Total displacement	lt	<b>6,7</b>
Engine oil features		<b>15W40-API CI-4/CH-4 ACEA E5-E7</b>
Engine oil consumption	%	<b>&lt;0,3</b>
Total oil capacity	lt	<b>18</b>
Total coolant capacity	lt	<b>28</b>
ISO 8528-5 class		<b>G2</b>

## Alternator

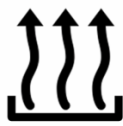
\* May vary based on stock availability. However, a primary brand will be used.

Factory		<b>Stamford</b>
Model		<b>UC1274F</b>
PRP continuous power	KVA	<b>160</b>
Voltage Regulator (voltage accuracy)	+/- %	<b>1</b>
Poles	N°	<b>4</b>
Phases	N°	<b>3+N</b>
Standard windings connection		<b>Star Series</b>
Stator/rotor impregnation		<b>H (Outdoor Temp 40°C)</b>
Efficiency	%	<b>92,3</b>
Engine coupling		<b>Elastic disk</b>
Short circuit current		<b>&gt;= 300% (3In)</b>
Protection degree	IP	<b>23</b>
Cooling system		<b>Self ventilating</b>
Maxium overspeed	rpm	<b>2250</b>
Waveform distortion	%	<b>&lt;5</b>
Exciter		<b>Diode bridge</b>

## Standard operating environmental conditions



STROM



WÄRME




KÄLTE



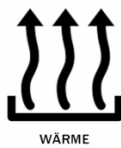
LICHT



USV

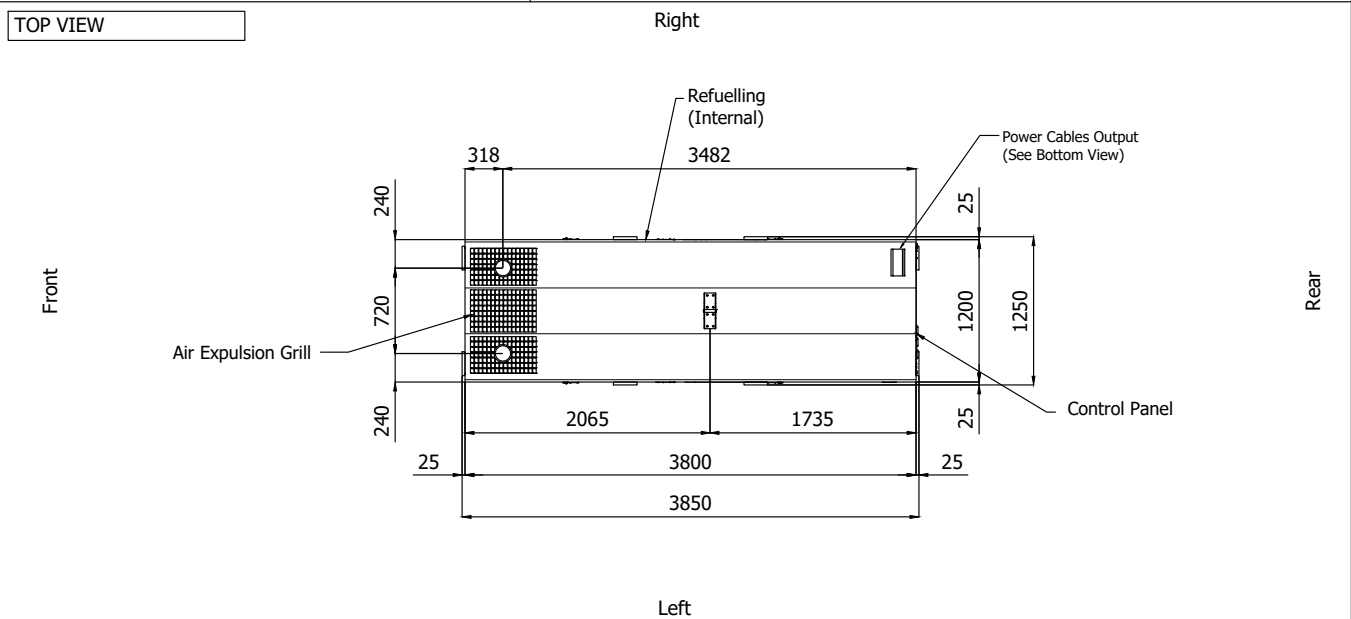
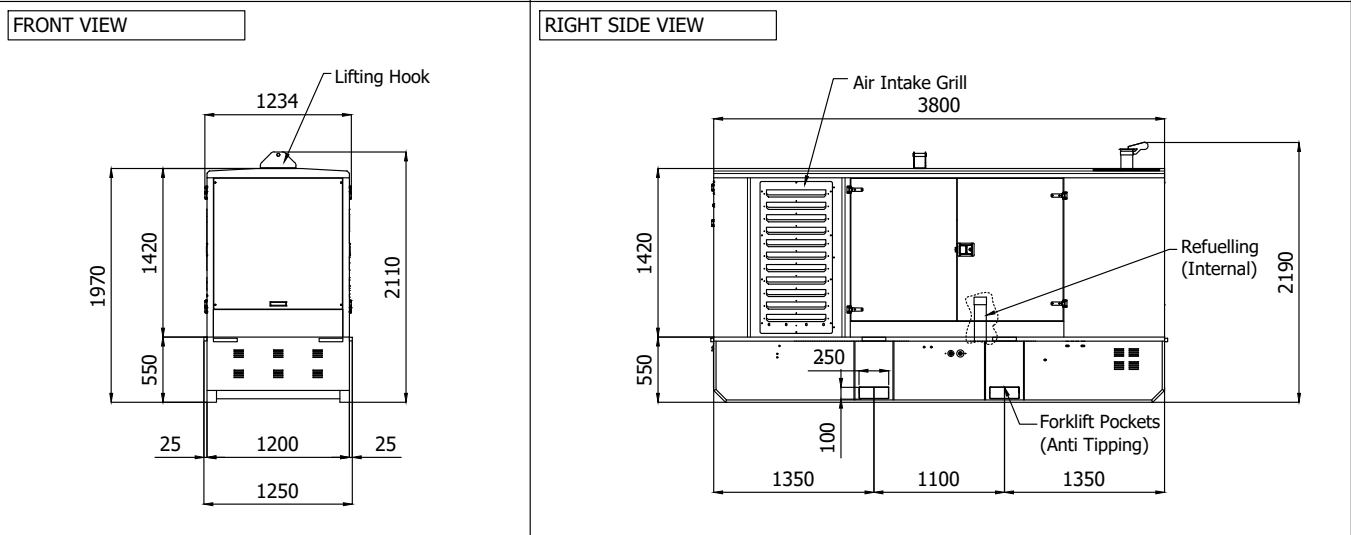
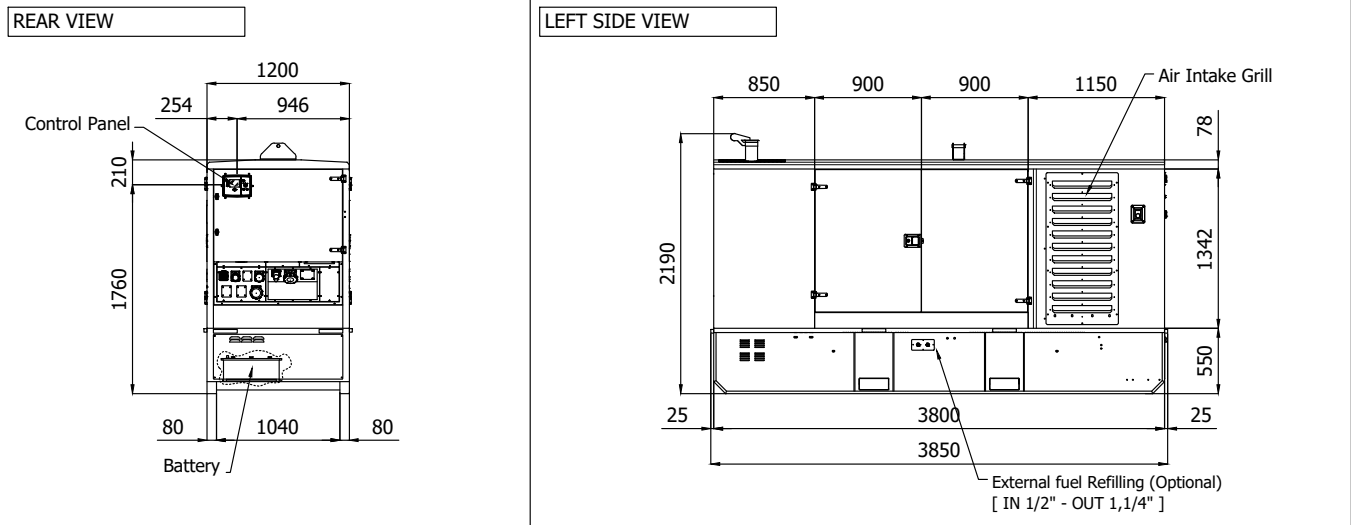
 GE.AIS5.165/155.ST.RB+011

Ambient temperature	°C	25
Relative Humidity	%	30
Max altitude	mt	1000



Sheet:	C 3800.RB	RENTAL BUILDING	Exhaust side:	Type:	STANDARD	Rev:	01	Last Update:	22-05-2020	Page 1/2
--------	-----------	-----------------	---------------	-------	----------	------	----	--------------	------------	----------

**OVERALL DIMENSIONS [mm]**

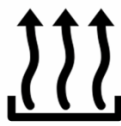


**IMPORTANT:**

- 1) Form and dimension refer to the generating set on catalogue
- 2) Form and dimension are subject to change in order to update or improve the products



STROM



WÄRME



KÄLTE



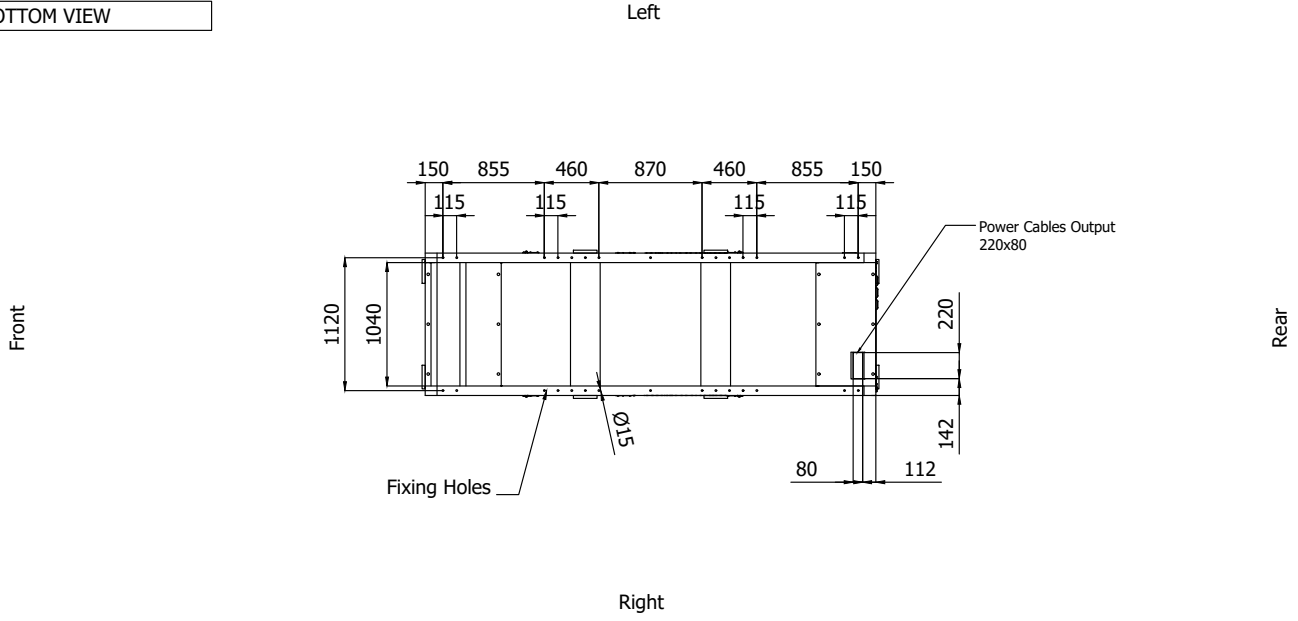
LICHT



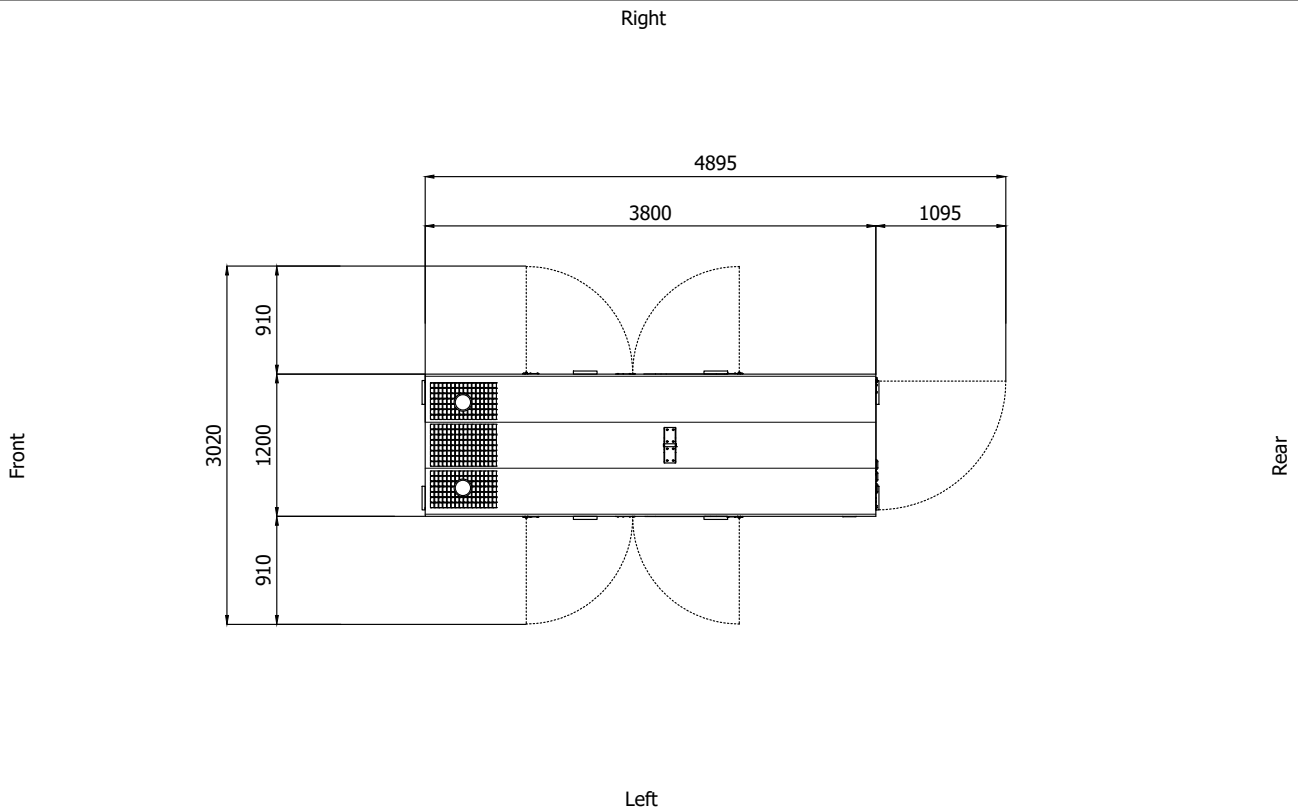
USV

Sheet:	C 3800.RB	RENTAL BUILDING	Exhaust side:	Type:	STANDARD	Rev:	01	Last Update:	22-05-2020	Page 2/2
--------	-----------	-----------------	---------------	-------	----------	------	----	--------------	------------	----------

**BOTTOM VIEW**



**DIMENSIONS WITH OPEN DOORS [mm]**



Note: With Lifting-Off Door Solution consider only canopy dimensions.  
 (Models with "Control Panel" behind rear door will mount a special cover to protect it)

**VENTILATION OF THE ROOM**

The windows area in the generating set room needs to be (recommended):  
 Aspiration: 1.35 m<sup>2</sup>  
 Expulsion: 0.90 m<sup>2</sup>  
 ATTENTION: for a correct ventilation the expulsion air and the exhaust gas needs to be conveyed in the open-air

IMPORTANT: 1) Form and dimension refer to the generating set on catalogue  
 2) Form and dimension are subject to change in order to update or improve the products